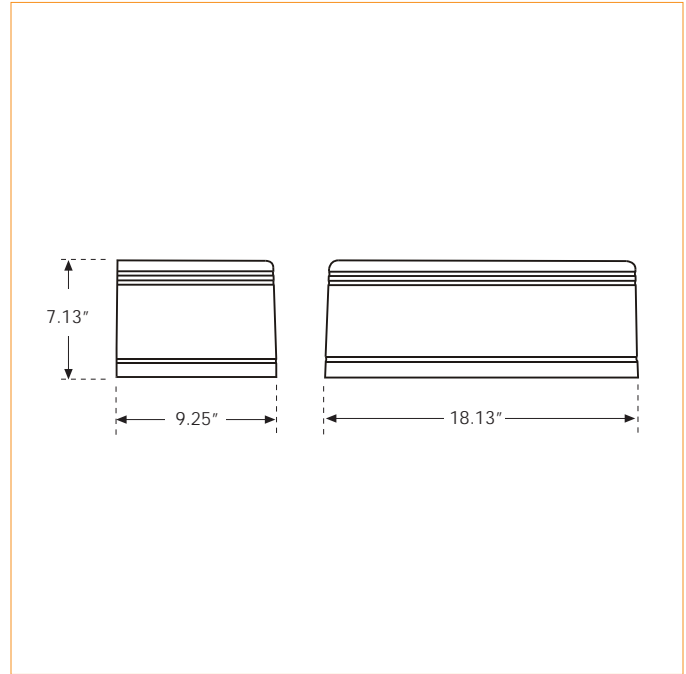




Surface Mounted Products - Architectural Wall Series



**Design**

The AWS2 product is designed to compliment traditional architectural forms with half cylindrical styling. Housing includes three reveals for additional architectural styling. Semi-specular optics provide excellent uniformity with wide throws for increased fixture spacing.

**Applications**

Any wall/surface mount applications including but not limited to: commercial buildings, shopping/retail/mall developments, etc.

**Construction**

Durable die-cast aluminum housing combined with a die-cast aluminum door frame. Single tool access for ease of maintenance. Utilizes an easy to install mounting bracket which incorporates a bubble level to ensure proper and easy installation.

**Certification**

UL/cUL listed luminaire, UL1598 suitable for wet locations.

Series	Distribution	Voltage	Mounting	Options*	Finish
Pulse Start MH AWS2P-50 AWS2P-70 AWS2P-100 AWSP2-150	FT (forward throw) WT (wide throw) UD (up/down)	HID 120 208 240 277 480  (*480 n/a in 70W pulse start)	SM (standard)	EBB (emergency battery) CWA (low wattage CWA ballast)  (*EBB available for CFL units only, consult factory for availability)  (*CWA available 150W only)	Textured Powder TSA (satin alum.) TDB (dark bronze) TBK (black) TWHT (white) TGR (gray) TGN (green)  Special RAL(*) (*specify #)
High Pressure Sodium AWS2S-50 AWS2S-70 AWS2S-100 AWS2S-150		Compact Fluorescent 120 208 240 277			
Compact Fluorescent AWS2CF-26 AWS2CF-32 AWS2CF-42					

Refer to spec sheet for additional details, available accessories, and specific ordering information. (\*some options may not be available in some configurations)