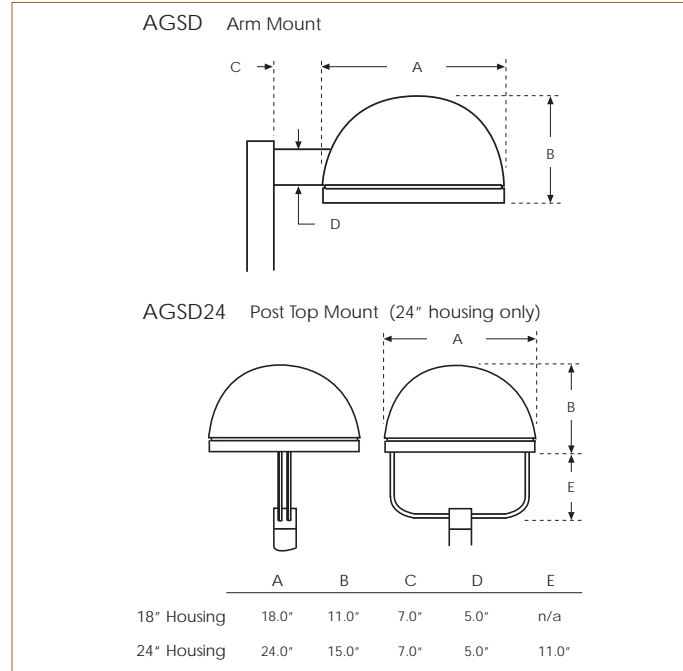


AGSD SERIES

Pole Mounted Products - Architectural Geometric Series



Design

The AGSD series product is designed to compliment traditional architectural forms with traditional curvilinear styling, while the segmented optics provides enhanced illumination. A decorative reveal in the housing provides additional styling.

Applications

Area and site applications of all sizes, including but not limited to: commercial parking areas, shopping/retail/mall developments, etc.

Construction

Durable 18"/24" dia. round spun aluminum housing combined with a heavy gauge aluminum door frame. Single tool access for ease of maintenance.

Certification

ETL/cETL listed luminaire, suitable for wet location.

Series	Distribution	Voltage	Mounting	Options*	Finish
Pulse Start MH AGSD18P-100 AGSD18P-150 AGSD24P-100 AGSD24P-150 AGSD24P-250 AGSD24P-400	18" Horizontal Optics (flat glass - full cutoff) 2 3 S F	120 208 240 277 480	Arm Square SS7 (7" arm - 1@90, 2@180) SS12 (12" arm - 2@90, 3@90, 4@90) Arm Round S7-3R (3" OD) (7" arm - 1@90 only) S7-4R (4" OD) (7" arm - 1@90, 2@180, 3@120) S7-5R (5" OD) (7" arm - 1@90, 2@180, 3@120) S12-3R (3" OD) (12" arm - 2@90, 3@90, 4@90) S12-4R (4" OD) (12" arm - 2@90, 3@90, 4@90) S12-5R (5" OD) (12" arm - 2@90, 3@90, 4@90)	F1 (single fuse 120/277) F2 (dbl fuse 208/240/480) TLR (twist lock receptacle) HSS (internal house shield)	Textured Powder TGN (green) Smooth Powder SA (satin alum.) DB (dark bronze) BLK (black) WHT (white) GR (gray) Special RAL(*) (*specify #)
High Pressure Sodium AGSD18S-100 AGSD18S-150 AGSD24S-100 AGSD24S-150 AGSD24S-250 AGSD24S-400	24" Horizontal Optics (flat glass - full cutoff) 2 3 S F		Post Top Mount (24" only) PT3 (3" OD round only) PT4 (4" OD round only) PT5 (5" OD round only) Wall Bracket SC (cast wall bracket) (*refer to spec sheet for pole arrangement and size compatibility)		

(*24"-100-150W post top only)